



12407 Mukilteo Speedway, Ste. 130, Lynnwood, WA 98087
 Phone: (425) 322-3170 Fax: (877) 721-6107
 info@amkspeakers.com www.amkspeakers.com

AMK Commercial Series

DS61-A / DS61-A-X

Network powered speakers
 Dante™ Enabled Network Audio
 6" Coaxial Loudspeaker Assembly
 (Preliminary)



Features:

- ♦ Network enabled Loudspeaker by Dante™
- ♦ PoE+ powered without a need for local power.
- ♦ RJ45 connection for audio from PoE+ Ethernet.
- ♦ 6" polypropylene cone with inverted rubber surround.
- ♦ 1" Polyamide dome tweeter
- ♦ Weather and water resistant.
- ♦ Single Channel Audio
- ♦ UL 2043 Listed Enclosure

The **AMK DS61-A (DS61-A-X for AES67, DDM Ready)** is a Dante™ audio network addressable and self-amplified ceiling speaker system. The speaker is powered by PoE+ network switch meaning no external power supply is required.

The speaker includes a Class D amplifier which provides effective use of power. This system will solve the issue of having to provide a separate amplifier or I/O interface for speaker installations.

The system comes with 6.5" coaxial 25W loudspeaker driver, CX602, that has excellent dispersion, wide bandwidth and a smooth frequency response which makes this the top choice for today's overhead commercial applications.

The system can be used in wide range of projects for paging and background music applications. The DS61-A is ideal for hotels, education, hospitals, retail stores, performing art centers, restaurants, airports, houses of worship, and board rooms.

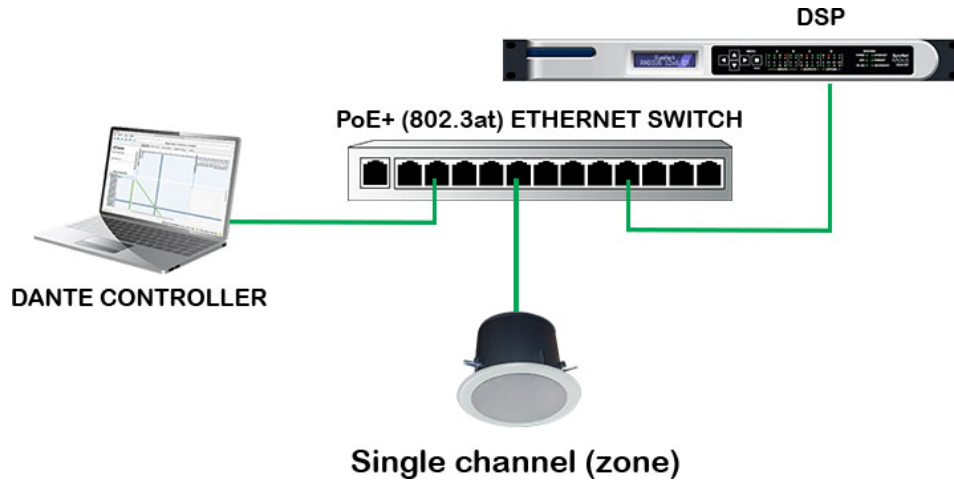
For details on Dante Networking, please visit:

<https://www.audinate.com/resources/networks-switches>

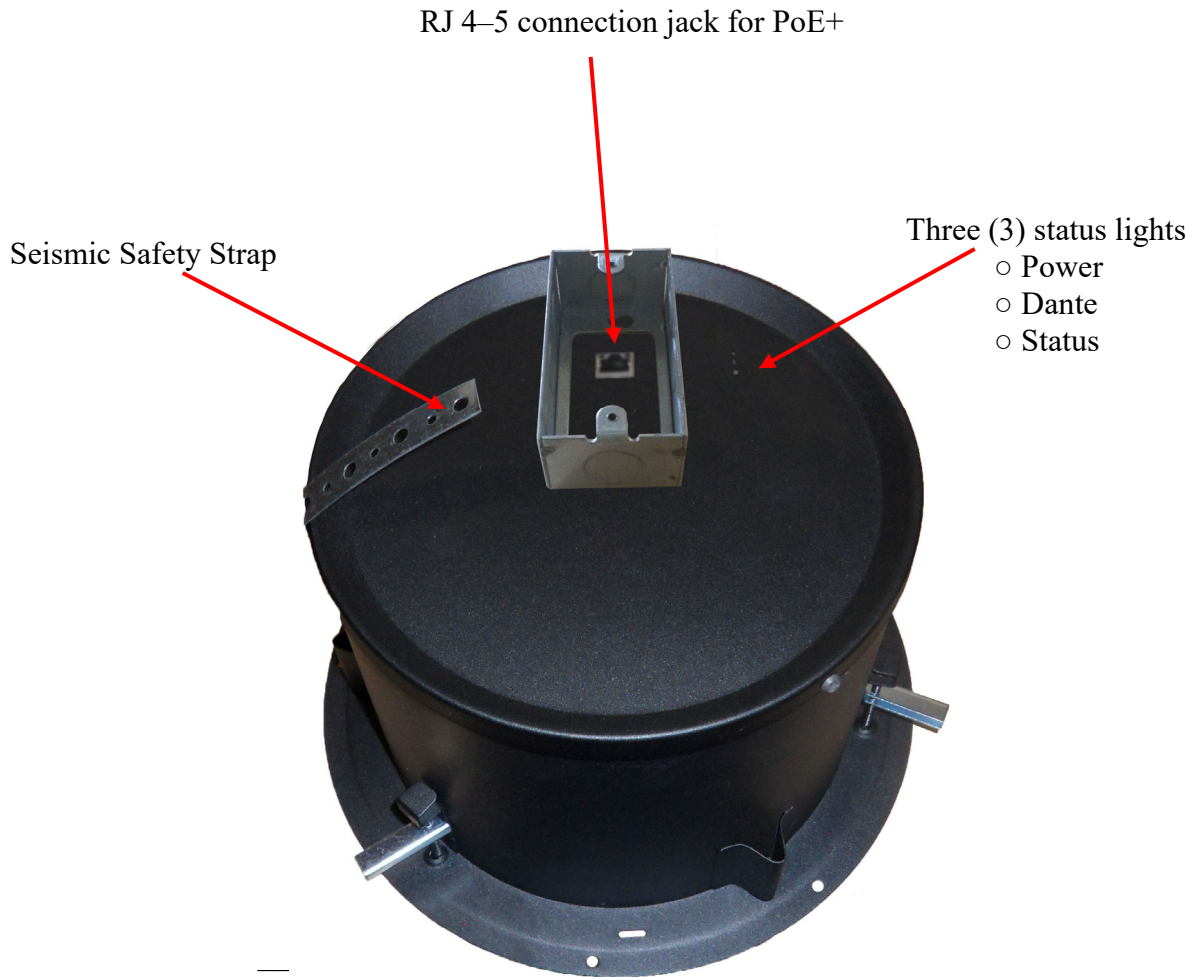
System Specification		AMK Dante Ceiling Speaker Advantage	
Frequency Response	100 Hz - 20 kHz (+/- 3dB)	<ul style="list-style-type: none"> * No need to have separate dante enabled amp or I/O interface * A Single RJ45 connection to main active speaker with two conductor wire connection to each of the passive speakers. * Highly efficient speaker driver due to barium ferrite magnet. * Cost effective simple one system solution. 	
Maximum SPL at 1M	102 dB		
Voice-coil diameter	1."		
Magnet	Barium Ferrite (for high efficiency of the speaker driver)		
Nominal Coverage Angle (500Hz – 4kHz Average)	140° Conical Average		
Audio Input	Dante Audio via Ethernet		
Output Power	10W / Channel (5W per speaker)		
Signal to Noise Ratio	>99dB		
Power consumption	2 Watts Standby, 25 Watts Maximum		
Input connector on active speaker	RJ-45		
Maximum wire length to companion speakers	100ft at 18AWG		
PoE+	IEEE 802.3at-2009		
Controls	Dante™ controller software		
UL Listed Enclosure	UL 2043		

Physical Speaker Data		Frequency Response	
Tweeter	13mm polyamide hard dome		
Woofer Cone	Polypropylene		
Surround Material	Inverted rubber Surround		
Crossover Frequency	5.0 kHz		
Depth	8.25"		
Diameter of the Enclosure	9.25"		
Diameter of the Grille	12.75"		
Enclosure Mounting	Metal Swivel Clamp		
Net Weight of single speaker (Grille, Back Enclosure, and Loudspeaker)	9.0 lbs		
Shipping Weight (2 boxes of 4 speakers)	52.0 lbs		

CHANNEL ZONING ILLUSTRATION



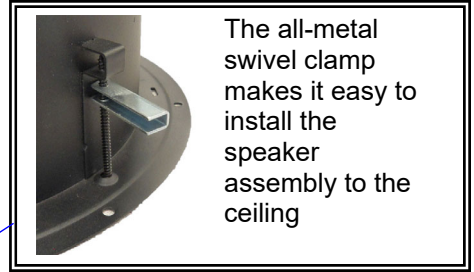
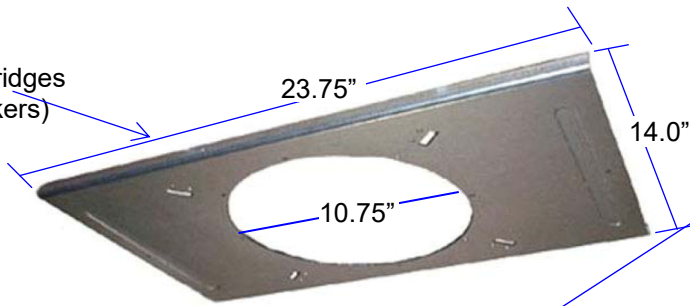
SPEAKER CONFIGURATION *



**Dante Enabled PoE+
Amplified Speaker**

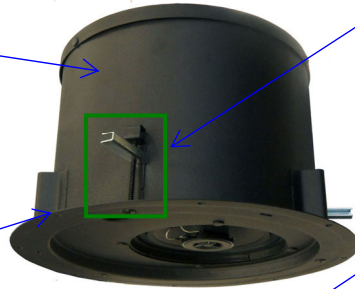
INSTALLATION SCHEMATICS

Standard Ceiling Tile Bridges
(Included for all 4 speakers)

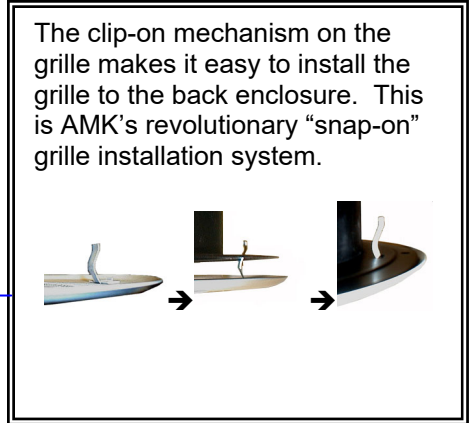


The all-metal swivel clamp makes it easy to install the speaker assembly to the ceiling

Plenum Compatible Back Enclosure
Conforms for air handling spaces per the NEC.

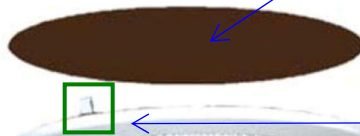


Cardboard Paint Mask (To be discarded after Painting)

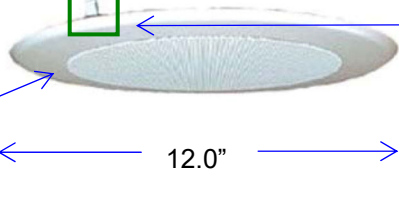


The clip-on mechanism on the grille makes it easy to install the grille to the back enclosure. This is AMK's revolutionary "snap-on" grille installation system.

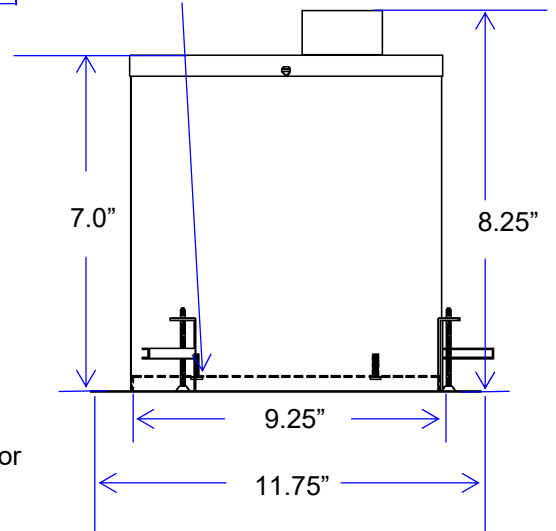
Guide for alignment of enclosure to tile bridge for grille installation



White Perforated Metal Grille



Recessed speaker baffle plate



For hard lid ceiling installations – Retro fit, (drywall, gypsum or other non-removable material), **SACSD**, is available.

Model	Mounting	Dante	AES 67
DS61-A	Tile Bridge	YES	NO
DS61-A-X	Tile Bridge	YES	YES
DS61-A-S	SACSD Ring	YES	NO
DS61-A-X-S	SACSD Ring	YES	YES

Architect's & Engineer's Specifications

The powered loudspeaker system shall be **AMK DS61-A (DS61-A-X for AES67, DDM Ready)**. The speaker shall feature Audinate / Dante™ network audio signal that broadcasts 1 channel of audio. The speaker system shall be a single speaker with one channel broadcasting..

The Ethernet network must have PoE+ to provide the power that is needed for the system.

The active unit of the system shall have one RJ-45 jack for network audio connection.

The speaker unit in the system shall be of the coaxial type with an 6.5" woofer of polypropylene, an inverted rubber surround, and a 1" polyamide soft dome tweeter mounted on a post. The transducer in the loudspeaker system shall be AMK CX 602 coaxial loudspeaker. The woofer shall have a 13 oz. (369g) Barium Ferrite magnet. The two transducer sections shall be coupled through a built-in capacitor bypass crossover.

The crossover frequency shall be at 5.0 kHz. The low frequency transducer shall have 1" (25.4mm) voice coil and the high frequency transducer shall have 0.51" (13mm) voice coil. The system shall have a frequency response of 65 Hz- 20 kHz (+/- 10dB).

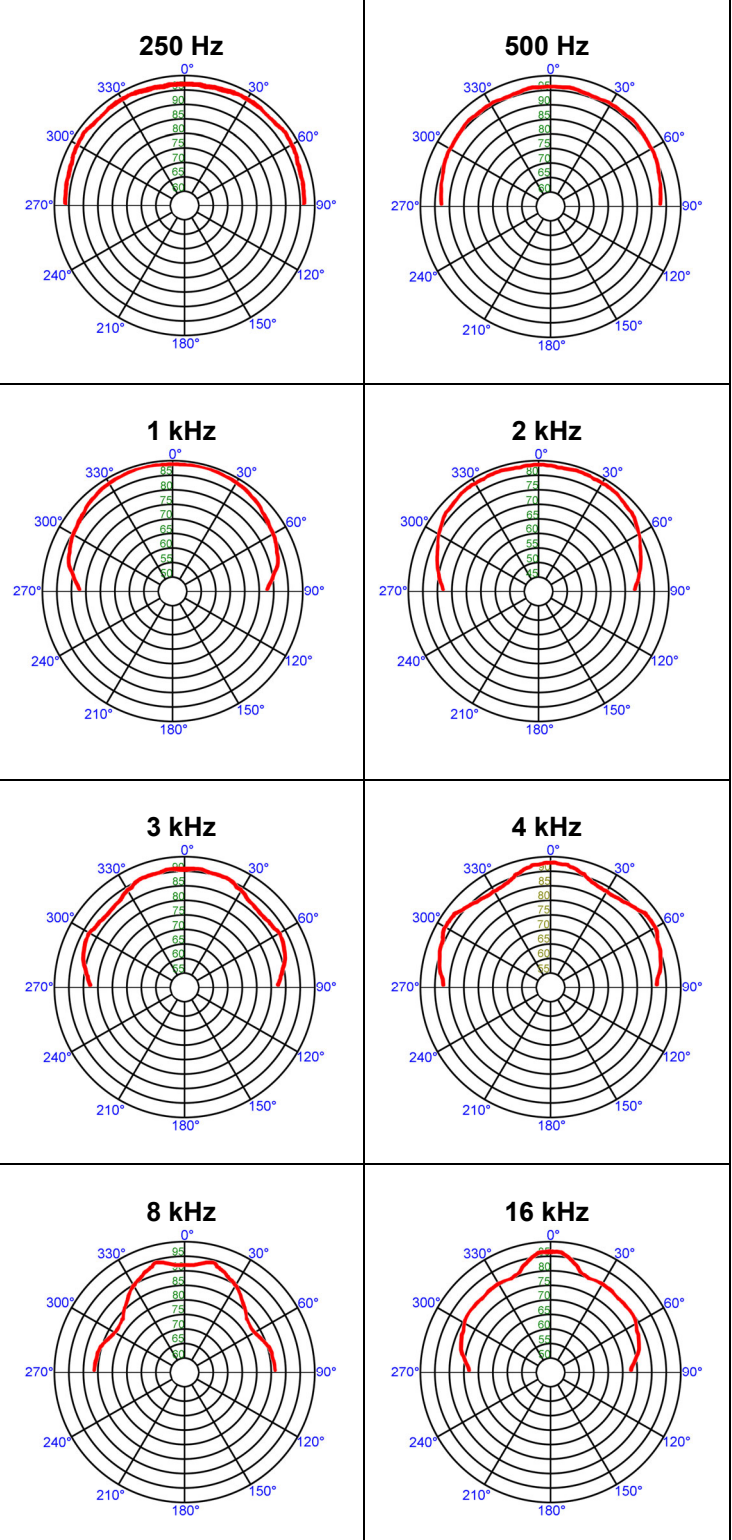
The depth of all 2 enclosures shall be 8.25 inches. The rim diameter shall be 11.75". The enclosure diameter shall be 9.25". The depth of the enclosures shall not exceed 8.25". The system shall include 2 tile bridges. The system shall have a metal strap for attachment to a structure for seismic protection.

The total weight of the each of the speaker enclosure, tile bridge, and grille shall not exceed 9.0 lbs.

The loudspeaker system shall be AMK Innovations model **DS61-A (DS61-A-X for AES67, DDM Ready)**.

Conforms to EIA Standards: RS-276-A, RS-278-B, RS-426-A.

Polar Responses (Measurement done in house)



Freq	Deg	Q	DidB
250 Hz	100°	3.8	5.8
500 Hz	96°	4.8	6.8
1 kHz	79°	6.8	8.3
2 kHz	72°	6.7	8.2
3 kHz	66°	9.2	9.6
4 kHz	86°	8.4	9.2
8 kHz	40°	7.1	8.5
16 kHz	16°	15.3	11.8