



AMK Commercial Series
CX 802
 8" Coaxial Loudspeaker



The AMK CX-802 loudspeaker is a full-range, low distortion, coaxial transducer. This loudspeaker meets the need for a very high quality loudspeaker demanded by the new digital age of commercial broadcast and foreground and background music. The unit has a smooth response and excellent off-axis dispersion, reducing the need for additional equalization and processing equipment. Ultra-wide bandwidth and high power handling make this speaker ideal for any commercial application. The CX-802 has all polymer materials, making the speaker weather and water resistant. It is highly recommended and used by consultants and installers for critical indoor as well as outdoor environments.

Features:

- ♦ Woofer Cone: Polypropylene
- ♦ Inverted Rubber Surround
- ♦ 1" Dome Tweeter
- ♦ Weather and Water Resistant

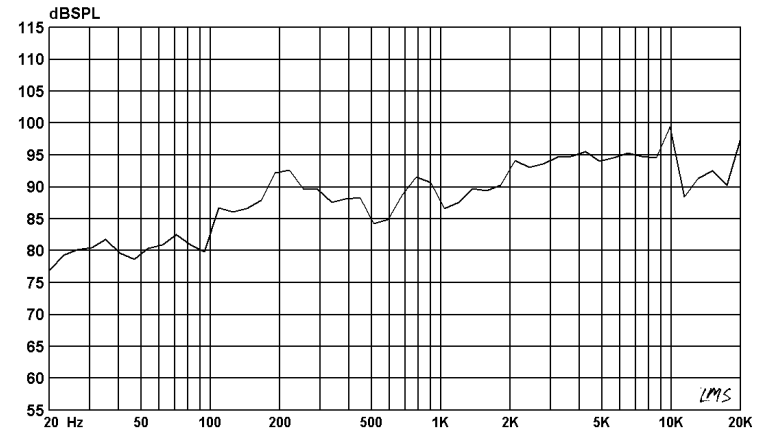
Related Accessories:

Transformers: 70V or 25V Line of Transformers
Recommended Backbox: BC8-7
Baffle: 8MRG, 8PRG, or 8MSG
Tile Bridge: TB8R

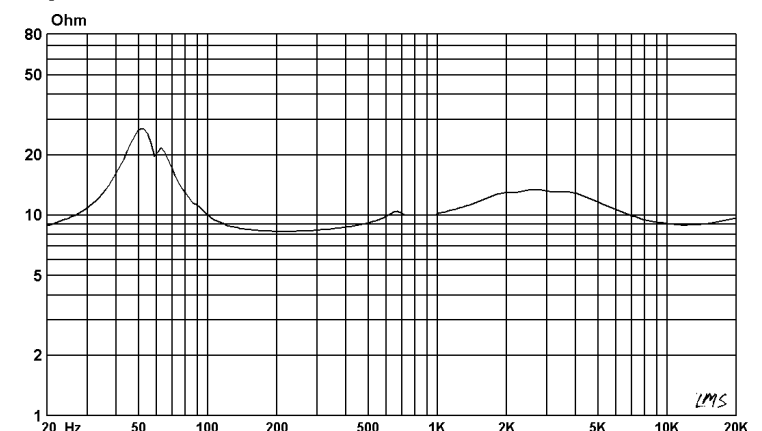
Specifications

Frequency Response	65Hz - 22kHz
Power Handling	40 watts
Impedance	8 ohms
Sound Pressure level (1w/1m)	91 dB
Voice-coil diameter	1.15"
Average Beamwidth @ 2 kHz	110°
Fo	45Hz
Qts	0.7
Vas	1.15 ft ³
Re	6.5 ohm
Xmax	1.75 mm
Magnet Weight	20oz
Magnet Material	Barium Ferrite
Tweeter	13mm Polyamide Hard Dome
Tweeter Magnet	Barium Ferrite
Woofer Cone	Polypropylene
Surround Material	Inverted Santoprene Surround
Crossover Frequency	5.5 kHz

Frequency Response

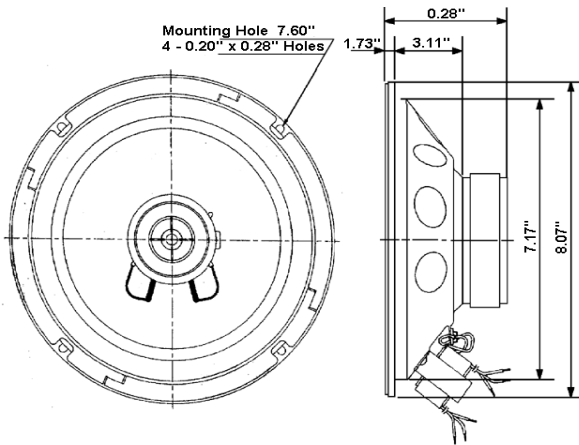


Impedance Curve



Physical Constants

Depth	3 1/4"
Width	8 1/8"
Mounting	4 holes equally spaced 7 5/8"
Voice Coil Material	Copper
Voice Coil Insulation	Polyamide, 220 Degree Rating
Voice Coil Former	Aluminum
Speaker Frame	22ga Stamped Steel
Frame Paint	Black Zinc
Net Weight	3.97 lbs
Shipping Weight	4.50 lbs



Architect's & Engineer's Specifications

The speaker shall be the AMK 8" Coaxial Model CX802 or loudspeaker / transformer combination Model CX802T _____ (utilizing AMK line-matching transformer Model T _____). The low frequency portion shall be a full 8" (203mm) in diameter and the high frequency reproducer shall be 2.125" in diameter. The power handling of the combined assembly shall be 40W.

The woofer shall have a 20 oz. (567g) Barium Ferrite magnet. The voice coil diameter of low frequency unit shall be 1" (25.4mm). The high frequency voice coil diameter shall be 0.51" (13mm) and shall be 1" polyamide soft dome. The woofer cone material of the loudspeaker unit shall be polypropylene. The surround of the loudspeaker unit shall be inverted rubber roll.

The two reproducer sections shall be coupled through a built-in capacitor bypass crossover. The crossover frequency shall be at 5.5 kHz. The unit's frequency response range shall be 65 Hz to 22 kHz (+/- 5dB). The unit's sensitivity shall be 91dB at 1 watt / 1 meter. Voice coil impedance shall be 8 ohms.

Transformer primary voltage shall be _____ (25V, 70.7V, 70/25) with a frequency response range of _____ and power taps at _____ watts. Insertion loss shall not exceed _____ dB.

The maximum depth of the loudspeaker shall not exceed 3 1/4" (83mm). The unit's total weight shall not exceed 3.97 lbs (1.8 kg).

The loudspeaker shall be AMK Innovations model CX802.

**Conforms to EIA Standards:
RS-276-A, RS-278-B, RS-426-A**

Polar Responses

